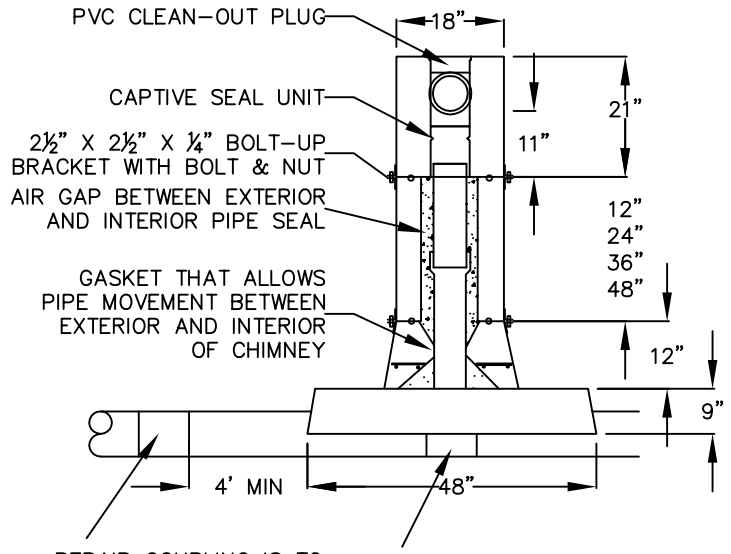
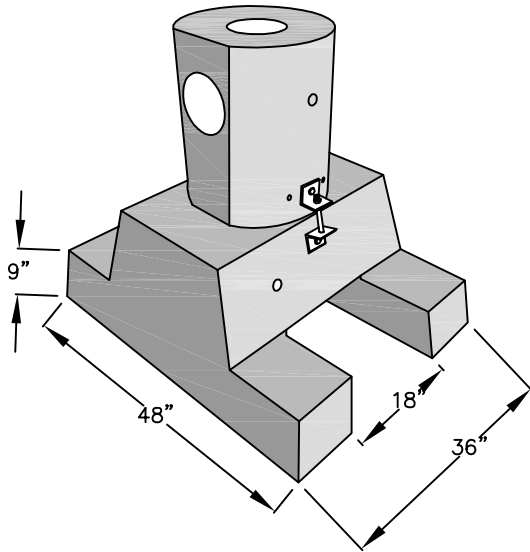
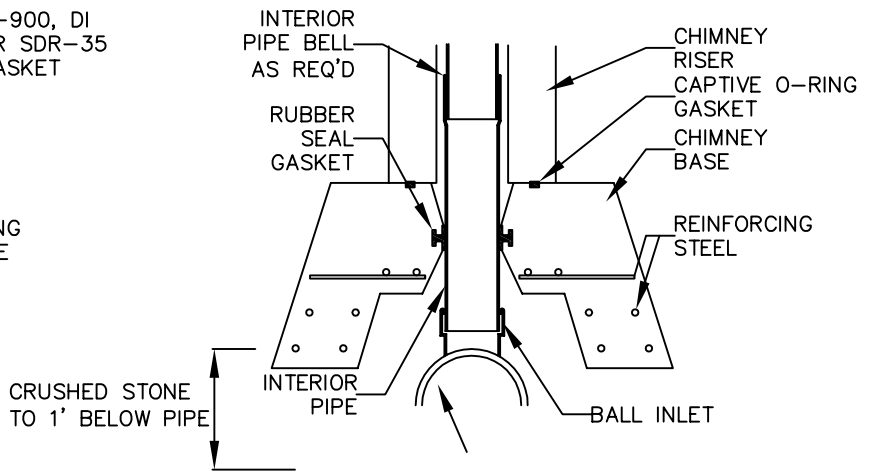
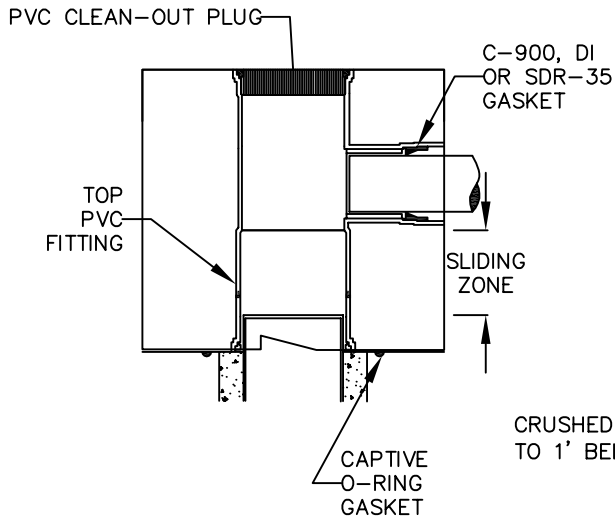


ARROW CONCRETE PRODUCTS DOUBLE-SEAL  
SEWER CHIMNEY AND STANDARD BASE  
OR APPROVED EQUIVALENT



REPAIR COUPLING IS TO  
BE USED ON PVC SEWER  
MAIN AT LEAST 4' FROM  
CHIMNEY

PVC OR DI TEE DEPENDENT  
ON SEWER MAIN MATERIAL.  
SEE \* BELOW



\* -NO SADDLE  
-DI TEE IF DI MAIN  
-PVC TEE IF PVC MAIN  
-PVC TEE IF VC MAIN  
(WITH VC TO PLASTIC  
FERNCOS AT LEAST 4'  
AWAY FROM CHIMNEY)

DESIGN NOTES:

1. CONCRETE - 5000 PSI, 28 DAYS
2. REINFORCING STEEL CONFORMS TO LATEST ASTM A615
3. H-20 DESIGN LOADING PER AASHTO HS-20-44
4. FILL VOID UNDER BRIDGE SECTION WITH CRUSHED STONE TO HEIGHT & DEPTH NOTED ABOVE

SANITARY SEWER CHIMNEY DETAIL

N.T.S.