



**FIRE SUPPRESSION SYSTEMS**  
PATENTED

## Electrically Operated Units

---

### Features

- Significantly more effective than alternative extinguishing agents
- Environmentally friendly -Ozone depletion potential (ODP) = 0 - No global warming potential
- Ease of installation – no pressure vessels, piping, or expensive installation manpower
- Very low maintenance
- Provides reliable, cost effective protection for a wide range of fire hazards
- Listed for Class A, B, C fires by UL, ULC, CSIRO, ECB, and many others
- Favorably reviewed by EPA for SNAP listing
- Suitable for enclosed facilities and local applications
- Safe for personnel - non-harmful to personnel at design application rates
- Safe for valuable equipment -will not harm electronic equipment or magnetic media
- Post fire cleanup is minimal - aerosol suspends in air for quick and easy venting after discharge
- Compact – up to a 90% reduction in space and weight requirements

---

### Applications

Due to their fast response time, low fire extinguishing concentration, and environmental safety, Stat-X fire suppression systems may be used in critical applications across a wide range of industries. Aerosol generators are currently protecting and are suitable for use in:

- |                                   |  |
|-----------------------------------|--|
| - Telecommunications facilities   | - Flammable liquid storage areas           |
| - Process control rooms           | - Turbine and generator enclosures         |
| - PABX rooms                      | - Marine engine rooms and machinery spaces |
| - High value mobile equipment     | - Power plants                             |
| - Cellular sites and relay towers | - Small boats                              |
| - Data processing facilities      | - General industrial hazards               |

---

### Operation /Description

Upon detection of a fire, Stat-X generators can be activated either manually or automatically from a suitable listed releasing device. All auxiliary system components (release panel, detection, remote pull stations, etc.) are listed/approved by UL, ULC, FM, New York City MEA, and California State Fire Marshall. Upon activation, the generators produce an exceptionally effective, ultra-fine, potassium based aerosol. Unlike gaseous systems, Stat-X aerosol generators are very cost effective to install and maintain - as they do not require the pressure vessels, piping or expensive installation costs associated with other extinguishing systems. Space and weight requirements are minimal. On an agent weight basis, Stat-X aerosol is ten times more effective than gaseous agent alternatives. The Stat-X generator's effectiveness is a function of its patented design, aerosol composition, and ultra-fine particle size. Fire suppression is rapidly achieved through interference between the ultra-fine aerosol particulate and the flame's free radicals – terminating propagation of the fire. Stat-X aerosol generators are virtually maintenance free and have a service life of over 10 years. This, coupled to their very low installation cost, makes them an extremely cost effective fire protection solution.

---



## FIRE SUPPRESSION AEROSOL GENERATORS

### General Specifications:

Parameter	30 E		60 E		100 E		250 E		500 E		1000 E		1500 E		2500 E		
Aerosol Mass (kg), (lbs)	.03	.07	.06	.13	.10	.22	.25	.55	.50	1.10	1.00	2.20	1.50	3.3	2.50	5.50	
Ship. Wt./unit packaging (kg), (lbs)	0.36	0.8	0.48	1.1	1.44	3.2	2.72	6.0	3.63	8.0	7.05	15.5	8.6	19.0	11.33	25.0	
Length (mm), (in)	74	2.9	107	4.2	121	4.8	132	5.2	180	7.1	170	6.7	203	8.0	267	10.5	
Diameter (mm), (in)	51	2.0	51	2.0	76	3.0	127	5.0	127	5.0	203	8.0	203	8.0	203	8.0	
Discharge Time (sec)	8.0		8.5		11.5		12.0		21.0		16.0		23.0		37.0		
Initiation Current (Amp)	Parallel	0.5		0.5		0.5		0.5		0.5		0.5		0.5		0.5	
	Series	1.0		1.0		1.0		1.0		1.0		1.0		1.0		1.0	
Pulse Duration (millisecond)	50		50		50		50		50		50		50		50		
Max. Supervisory Current (Amp)	≤.005		≤.005		≤.005		≤.005		≤.005		≤.005		≤.005		≤.005		

### Coverage parameters:

Model	Part Number	Maximum Volume Coverage		Maximum Area Coverage		Maximum Mounting Height	
		(m <sup>3</sup> )	(ft <sup>3</sup> )	(m)	(ft)	(m)	(ft)
30 E	15100	0.45	15.89	1.20 X 1.20	3.95 X 3.95	1.22	4.0
60 E	15110	0.90	31.78	1.70 X 1.70	5.60 X 5.60	2.00	6.6
100 E	15120	1.49	52.71	2.18 X 2.18	7.20 X 7.20	2.50	8.2
250 E	15130	3.73	131.8	3.45 X 3.45	11.3 X 11.3	2.75	9.0
500 E	15140	7.46	263.5	4.88 X 4.88	16.0 X 16.0	3.50	11.5
1000 E	15150	14.9	527.1	4.88 X 4.88	16.0 X 16.0	5.00	16.0
1500 E	15160	22.4	790.6	4.88 X 4.88	16.0 X 16.0	5.00	16.0
2500 E	15170	37.3	1317.7	4.88 X 4.88	16.0 X 16.0	5.00	16.0

For additional information on use of Stat-X systems, please contact your local Distributor or Fireaway LLC.

### Operation/Storage Parameters:

Temperature -40° C to +54° C (-40° F to +130° F)  
 Relative Humidity up to 98% at +35° C (+95° F)

### Transportation Classification:

- Classification code: 4.1
- UN Identification #: UN 3178
- Packaging group: PGIII
- Shipping limitation:
  - Ground:
  - Max. Weight per unit packaging – Cargo Air
  - Max. Weight per unit packaging – Passenger Air



None  
 100 kgs (220lbs)  
 25 kgs (55lbs)

Stat-X is a registered trademark. Manufactured in the USA and sold worldwide exclusively by Fireaway LLC under license from Techno-TM LLC



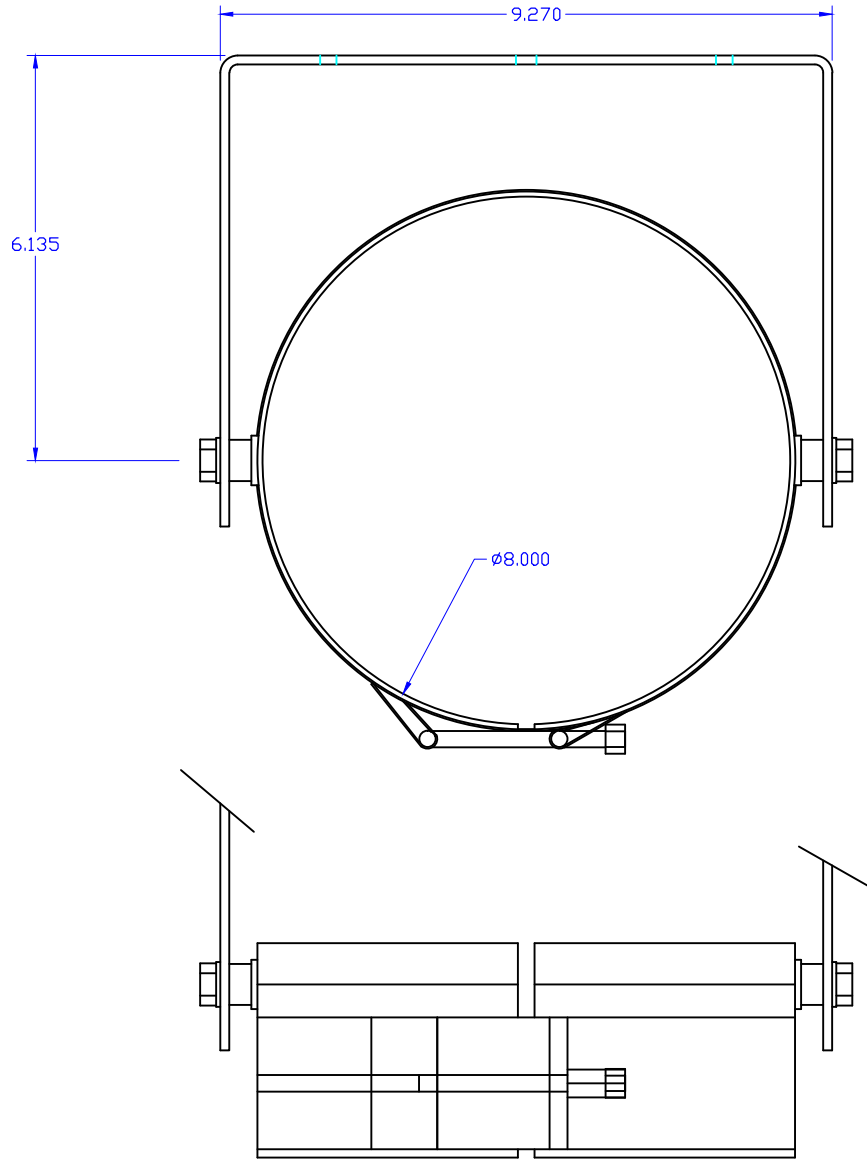
Made in the USA

5852 Baker Road. Minnetonka, Minnesota 55345 USA  
 Tel: 952.935.9745 • Fax: 952.935.9757  
 www.statx.com



Call to discuss your specific requirements with one of our professionals.

**PROPRIETARY NOTICE:**  
 THIS PRINT IS THE PROPERTY OF FIREAWAY INC.  
 WHICH RETAINS ANY AND ALL PATENT AND OTHER  
 RIGHTS, INCLUDING EXCLUSIVE RIGHTS OF USE, SALE,  
 AND MANUFACTURE OF ARTICLES SHOWN HERE.



	REV: C	Drawn	1000-2500 HD BRACKET ASSEMBLY
	Date:	By:	
File:	03.03.11	PF	
<b>FIREAWAY INC.</b>	5852 Baker Rd. Minnetonka, MN 55345		18016
			Page 1 / 1

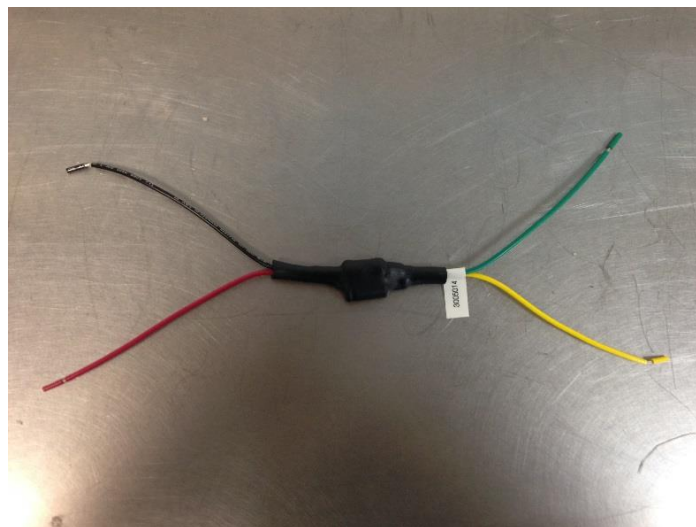
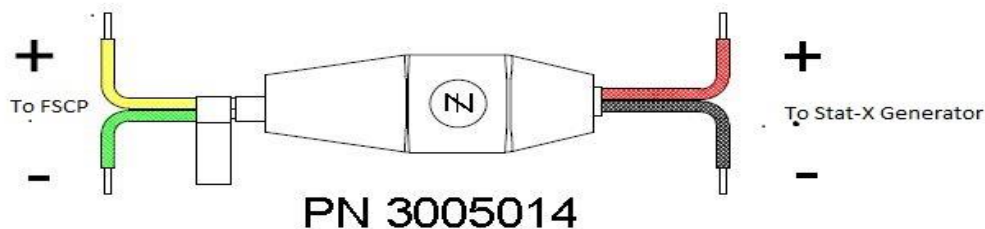
Date July 10, 2014

No. T14.4

To: All Stat-X<sup>®</sup> Fire Suppression System Distributors

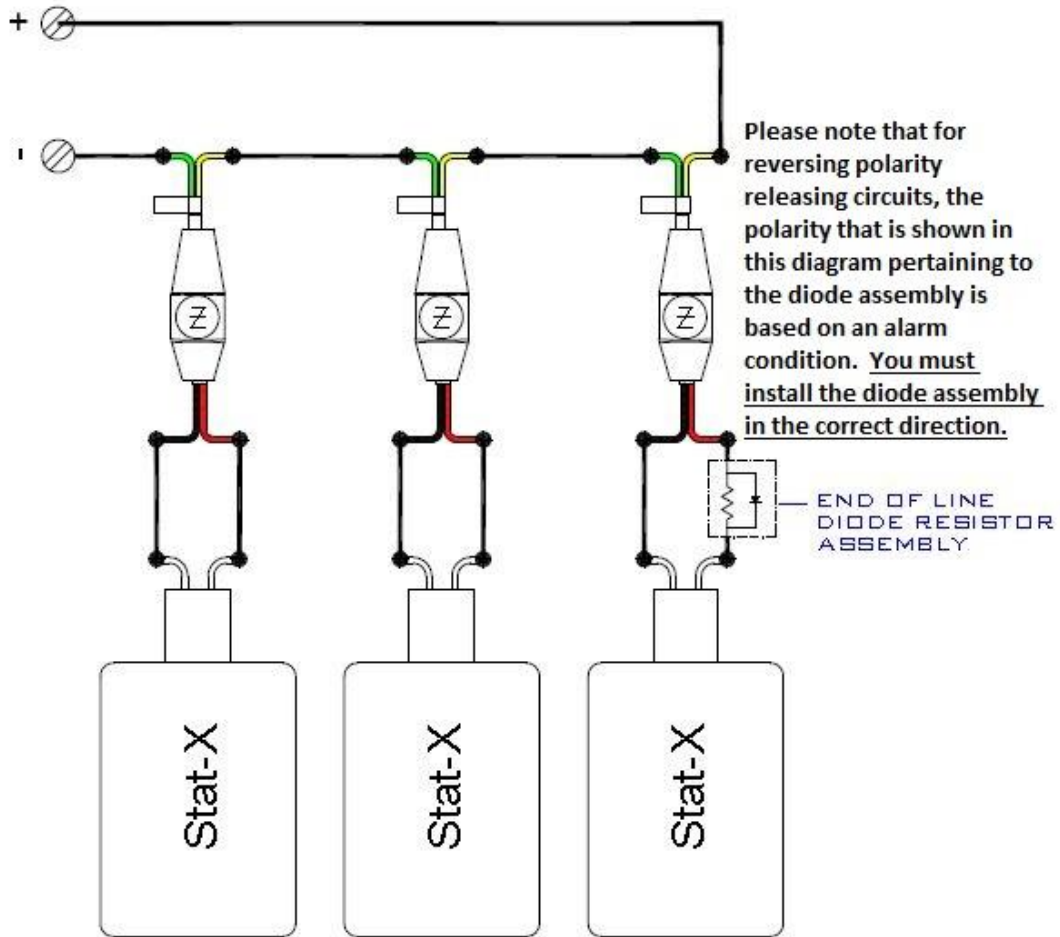
## Installation of UL Listed Ematch protection devices (EPD) for UL Listed Stat-X fire suppression systems

In order to comply with the UL Listing for Stat-X<sup>®</sup> systems an ematch protection device (p/n: 3005014) must be connected to each Stat-X aerosol generator as protection against high voltage transient signals which may occur such as in the event of a lightning strike. The information that is below are examples of how this device should be wired when using a Potter PFC-4410-RC fire suppression control panel. When using other fire suppression control panels that are UL cross listed to release Stat-X systems, it is required that you refer to the panel manufacturer's installation manuals and compatibility documents for their specific requirements for installing Stat-X aerosol generators on the fire suppression control panel releasing circuits. This device is UL listed to categories SZNT2 (Releasing devices – component) and UOXX2 (control unit accessories, system – component).



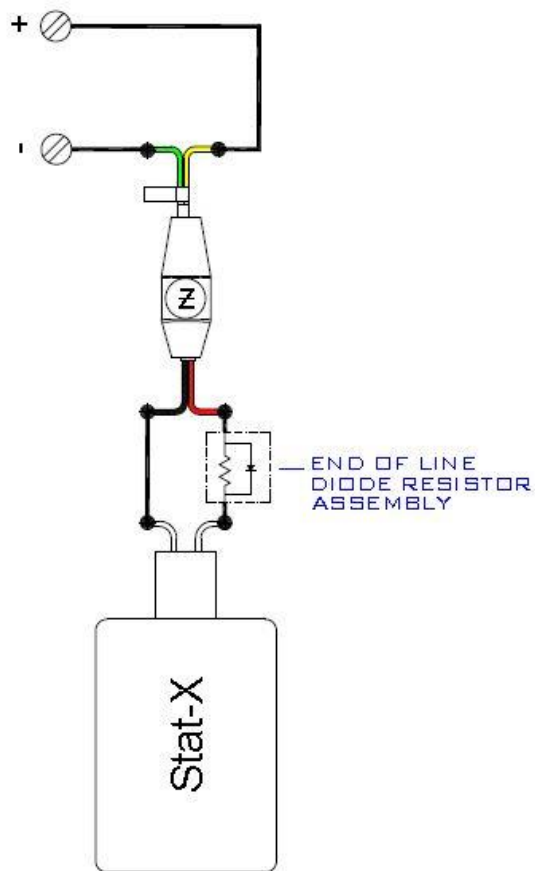
In Series Wiring Example

**YELLOW** wire to OUTPUT X+ wiring  
**GREEN** wire to OUTPUT X- wiring  
**RED** wire to Stat-X Initiator  
**BLACK** wire to other side of Stat-X Initiator



Parallel Wiring Example

**YELLOW wire to OUTPUT X+ wiring**  
**GREEN wire to OUTPUT X- wiring**  
**RED wire to RED wire of the EOL Resistor & Diode Assy**  
**BLACK wire of the EOL Resistor & Diode Assy to Stat-X Initiator**  
**BLACK wire to other side of Stat-X Initiator**





# **Stat-X<sup>®</sup> AEROSOL FIRE SUPPRESSION SYSTEM SIGNAGE**

Item number: 16050

Size: 5 ½" x 4"

**THIS AREA IS PROTECTED BY AN  
Stat-X<sup>®</sup> FIRE SUPPRESSION SYSTEM**

**EVACUATE AREA ON  
SOUND OF ALARM**

**DO NOT ENTER AFTER DISCHARGE  
UNTIL AREA HAS BEEN  
THOROUGHLY VENTILATED**

Item number: 16051

Size: 5 ½" x 3 ¾"

**THIS AREA IS PROTECTED BY AN  
Stat-X<sup>®</sup> FIRE SUPPRESSION SYSTEM**

**DO NOT ENTER  
UNLESS THE FIRE SUPPRESSION  
SYSTEM IS DISENGAGED**

**DO NOT ENTER AFTER DISCHARGE  
UNTIL AREA HAS BEEN  
THOROUGHLY VENTILATED**

Item number: 16052

Size: 3 ¼" x 3 ¼"

**Stat-X<sup>®</sup> SYSTEM ISOLATE SWITCH**

- 1. PLACE KEY-SWITCH IN "OFF" POSITION PRIOR TO ENTERING AREA**
- 2. RETURN KEY-SWITCH TO "ARMED" POSITION WHEN LEAVING THE AREA**
- 3. ENSURE THE AREA IS CLEAR OF PERSONNEL BEFORE RE-ACTIVATING THE SYSTEM**

Item number: 16053

Size: 3 ¾" x 2 ½"

**Stat-X<sup>®</sup> FIRE SUPPRESSION SYSTEM**

**MANUAL PULL STATION**

**ENSURE AREA IS EVACUATED BEFORE  
RELEASE OF SYSTEM**